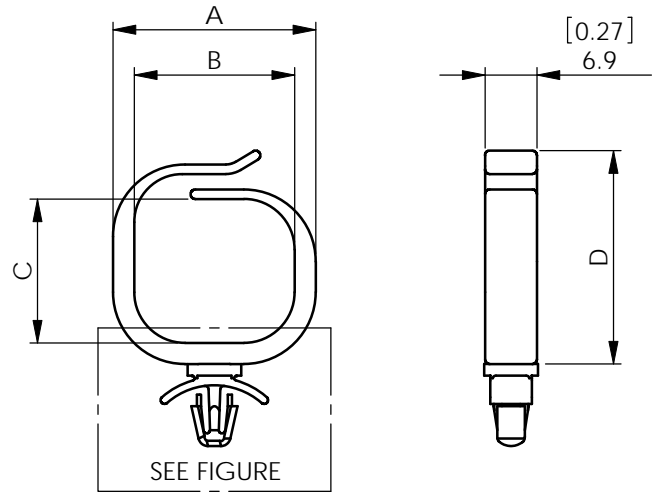


REV.	MODIFICATION.	DATE	DRN
01	CO2010782	25/08/09	MT
02	CO2010839	19/10/09	MT
03	CO2010917	13/07/10	SF

UL94 V-2 NYLON 6/6, RMS-01 COLOUR: NATURAL	UL94 V-0 NYLON 6/6, RMS-19 COLOUR: NATURAL	"A" REF	"B" REF	"C" REF	"D" REF	FIGURE
OFNS-13-187-01	OFNS-13-187-19	26.8[1.06]	21.2[.83]	19[.75]	28.2[1.11]	1
OFNS-13-312-01	OFNS-13-312-19					2
OFNS-13-250-01	OFNS-13-250-19					4
OFNS-13-S9.5M-01	OFNS-13-S9.5M-19					5
OFNSB-13-01A-RT	OFNSB-13-19A-RT					6
OFNS-16-187-01	OFNS-16-187-19	34.3[1.35]	28.7[1.13]	25.1[.99]	34.4[1.35]	1
OFNS-16-312-01	OFNS-16-312-19					2
OFNS-16-S307-01	OFNS-16-S307-19					3
OFNS-16-S9.5M-01	OFNS-16-S9.5M-19					5
OFNSB-16-01A-RT	OFNSB-16-19A-RT					6
OFNS-28-S9.5M-01	OFNS-28-S9.5M-19					43[1.69]

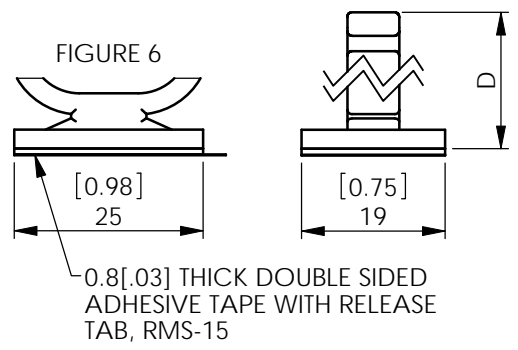
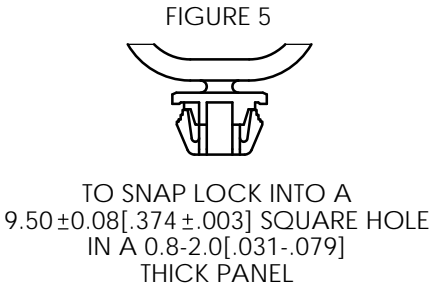
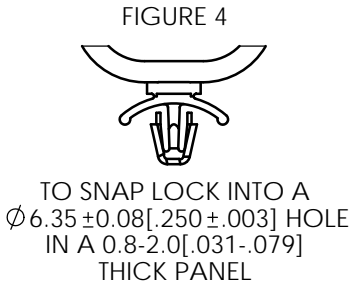
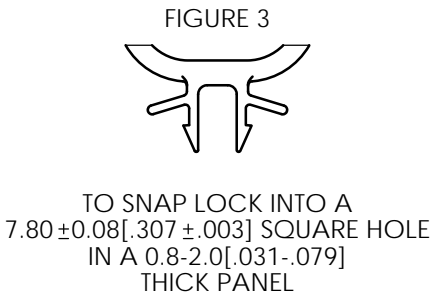
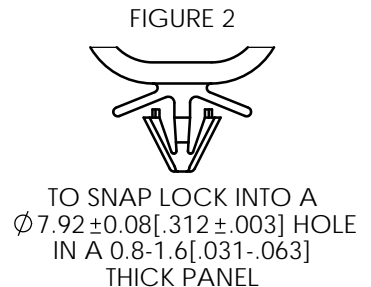
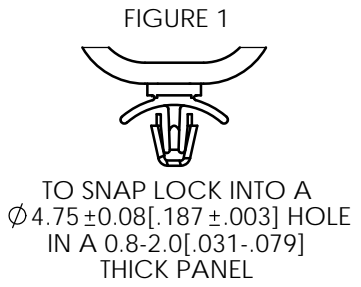
AVAILABLE IN BLACK COLOUR BY SPECIAL ORDER. TO ORDER, ADD "BK" TO THE END OF THE PART NUMBER



ALTERNATE UNITS FOR REFERENCE ONLY

INFORMATION CONTAINED IN THIS DOCUMENT IS CONFIDENTIAL TO RICHCO INTERNATIONAL Co. Ltd. AND MAY NOT BE DISCLOSED OR REPRODUCED IN WHOLE OR PART WITHOUT THEIR WRITTEN CONSENT.

<b>RICHCO, INC.</b> WWW.RICHCO-INC.COM	ALL DIMENSIONS IN mm GENERAL TOLERANCES ±0.25 UNLESS OTHERWISE STATED 1 DECIMAL PLACE ± 2 DECIMAL PLACES ± ANGULAR ±1°	THIRD ANGLE 
	MATERIAL: SEE TABLE COLOUR: SEE TABLE	



DESCRIPTION: OPTICAL FIBER NETWORK SADDLE  
 PART No: SEE TABLE

DRG No: 09-084  
 PROJECT NUMBER:  
 SHEET SIZE A4

DRN MT	DATE 21/08/09	CHKD TC	DATE 25/08/09	SCALE NTS	SHEET No. 1 OF 1
-----------	------------------	------------	------------------	--------------	---------------------